

# GOODWINCH Ltd stock their own range of specialist winches, enormous value, great features.

## The ATV / GP Series Main Distributor in UK & Europe



### ATV/GP Series FEATURES

The heavy duty motor delivers superior torque output and fast line speed

3 stage planetary gearbox for the most reliable and durable performance in the worst operating conditions

Automatic, cam operated brake

Rotating ring gear clutch enables freespooling for rapid payout of rope

Easy to install, operate and maintain

These ATV/General Purpose winches suit a variety of uses: Quad Bikes, trailers, general purpose use, boating and for portable towball winch use.

### ATV/GP Series Specification

	ATV/GP4000
Line Pull	4000 lb 1.814 kg
Motor	12v / 1.6hp *
Gear Train	Three Stage
Gear Ratio	187:1
Freespool	Rotating Ring Gear
Wire Rope Size	5.5mm x 15.2m 7/32" x 50'
Drum Size	55mm x 1312.5mm 2.2" x 5.2"

Full dimensional information available on the web site

**Supplied with a Standard Accessory pack containing**

- Remote Control
- Roller Fairlead
- Snatch Block
- Handsaver Strap

\* These winches are also available with 24 volt motors for an additional £20

Upgrade to **DYNEEMA® BOWROPE** at time of purchase.



## GOODWINCH LIMITED

1 Oakley Way, Tree Beech Rural Enterprise Park  
Gunn. Barnstaple. EX32 7NZ, England

Tel: 01363 82666

E: [sales@goodwinch.com](mailto:sales@goodwinch.com) W: [www.goodwinch.com](http://www.goodwinch.com)

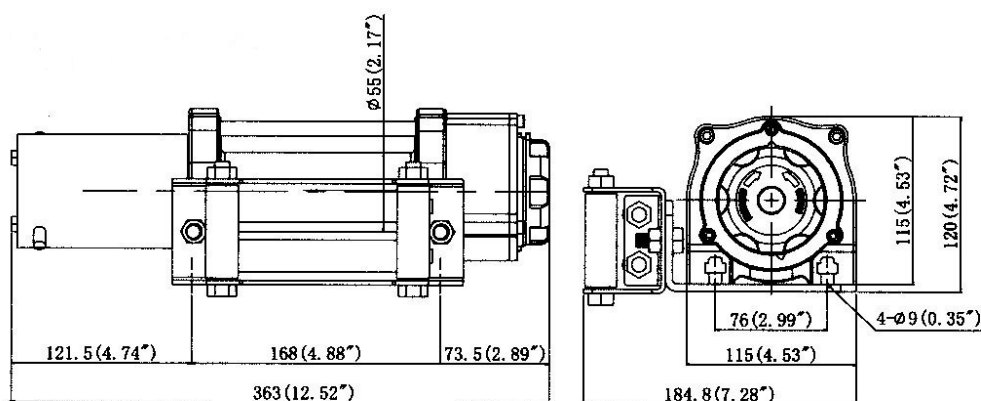
AS MOST OF OUR BUSINESS IS UK & EUROPEAN 4x4 DEALERS AND OVERSEAS SALES, ALL PRICES ARE PLUS CARRIAGE AND VAT

\*\*\*\*\*  
 Simply brilliant, our versatile lightweight, easy to splice and handle  
**DYNEEMA® BOWROPE**  
 An immensely strong 12 strand synthetic winch rope made from Dyneema® SK75 High Modulus Polyethylene Fibre, manufactured to a very high exact specification set by David Bowyer of GOODWINCH LIMITED  
 \*\*\*\*\*

**Importers, Exporters, Wholesale Distributors and Retailers of Winches & Accessories**

Dyneema® is a registered trademark of Royal DSM N.V.

# Dimensional Information and Additional Specifications



**ATV / GP 4000**

## LINE PULL

ATV / GP 4000		
Rope Layer	Max Line Pull	
	lbs	kg
1	4000	1814
2	3735	1694
3	3188	1446
4	2780	1261

## LINE SPEED & AMP DRAW

ATV / GP 4000				
LOAD		Amps	Line Speed	
lbs	kg	12V	ft / min	m / min
No Load		22	19	5.8
500	230	45	12.8	3.9
1000	450	73	11.2	3.4
1500	680	95	10.2	3.1
2000	900	110	9.5	2.9
2500	1140	140	9	2.7
3000	1363	170	7.9	2.4
3500	1588	200	7.2	2.2
4000	1814	230	6.6	2.0