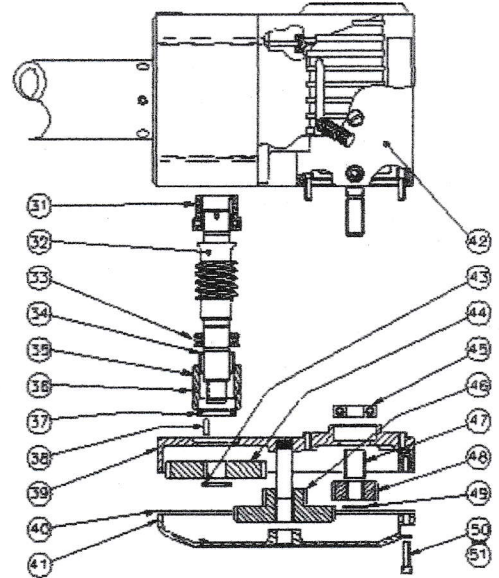
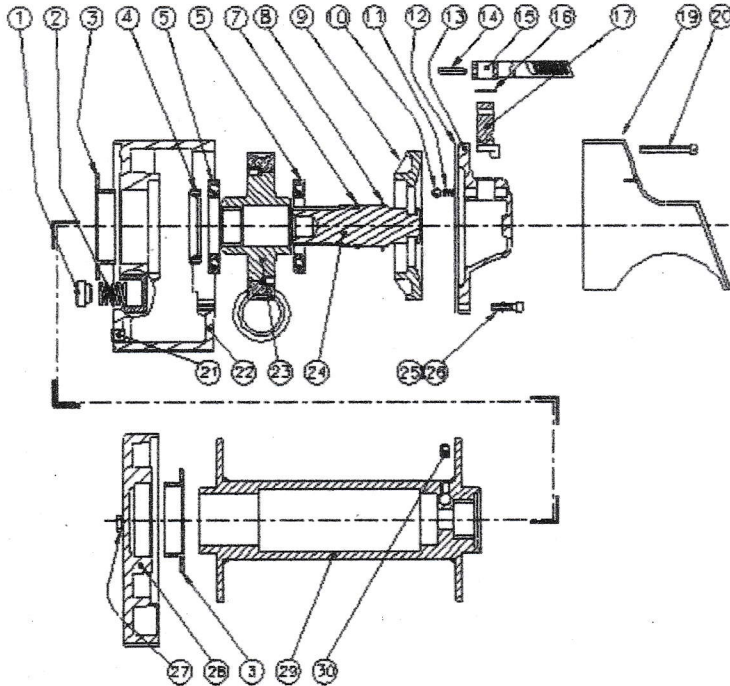


08

PARTS LIST

367 Ratio Husky 12 Winch Parts



Item	Description:	Part No:	Qty	Item	Description:	Part No:	Qty
✓ 1	Brake Shoe	317	2	31	Roller / Thrust brg	7721	1
✓ 2	Brake Spring	320	2	✓ 32	Worm Set	85-95019	(1)
✓ 3	Flanged Bearing	7658	2	✓ 33	Thrust Washer	4-03-2542303	2
✓ 4	Oil Seal	4-22-5572103	1	✓ 33	Thrust brg	4-07-2542203	1
✓ 5	Ball Bearing	4-13-55090113	2	✓ 34	Needle Brg	4-12-25322013	1
7	'O' Ring	4-21-7813	1	✓ 35	Location Plug	7667	1
8	CirClip	4-24-4053183	1	36	'O' Ring	4-21-6543	1
9	Bearing Carrier	7654	1	✓ 37	Oil Seal	4-22-2535073	1
10	Steel Ball	4-54-79324	1	✓ 38	Key	7764	1
11	Spring	4-31-7629510223	1	✓ 39	Gear hsg / Cover assy	8738	1
✓ 12	Gasket	7688	1	✓ 40	Gasket	7689	1
✓ 13	Clutch Housing	7652	1	42	Electric Motor, 12v	7682	1
14	Roll Pin	4-56-602603	1	42	Electric Motor, 24v	7694	1
✓ 15	Operating Lever	7673	1	43	CirClip	4-24-1927103	1
16	'O' Ring	4-21-6423	1	✓ 44	Wormshaft Gear,	7666	1
17	Clutch Shaft	7676	1	✓ 45	Ball Bearing	4-13-017040123	1
✓ 19	Motor Cover	10166	1	46	Intermediate Cluster	85-54081	1
20	Set Screw, M6 x 50mm	4-71-0605023	2	47 ✓	Spacer	7686	1
21	Pressure Plug	4-29-224	2	48 ✓	Motor Gear	85-54079	1
✓ 22	Wormbox	85-25179	1	49	CirClip	4-24-1622113	1
✓ 23	Worm Set	85-95019	1	50	Cap Hd Screw, M6 x 25	4-36-0602522	(8)
24	Clutch Member	7659	1	51	Spring Washer, M6	4-51-0623	(8)
25	Cap Hd Screw M6 x 25	4-36-0602522	16	N/S	Control Box, 12v	8903	1
26	Spring Washer, M6	4-51-0623	16	N/S	Solenoid, 12v, Pair	90-22628-05	(1)
27	Set Screw, M8 X 16	4-32-0801622	2	N/S	Control Box, 24v	8904	1
✓ 28	Support Housing	85-25180	1	N/S	Solenoid, 24v, Pair	90-22628-04	(1)
29	Rope Drum Assembly	85-90005	1	✓ N/S	Control Box Cover	7709	1
30	Skt set screw, M8 x 12	4-40-081203	1				